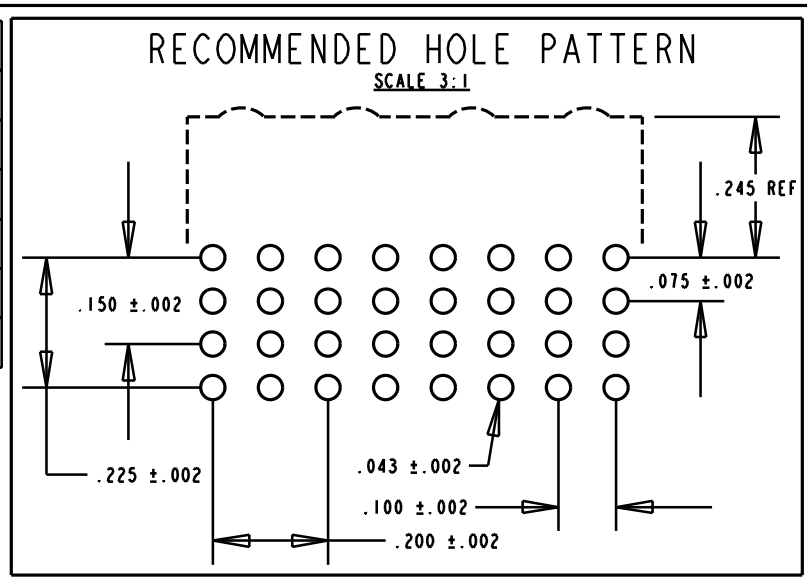
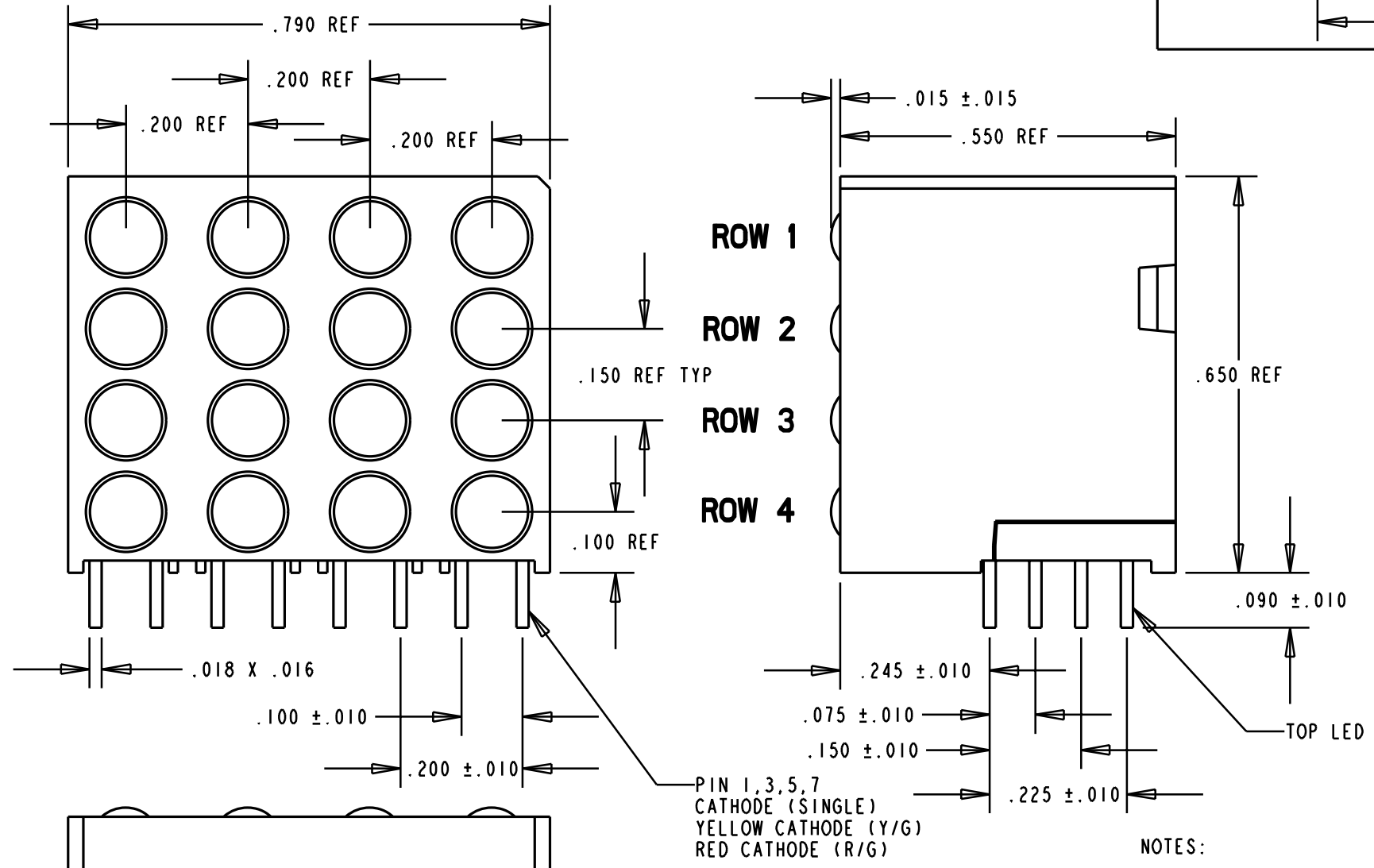


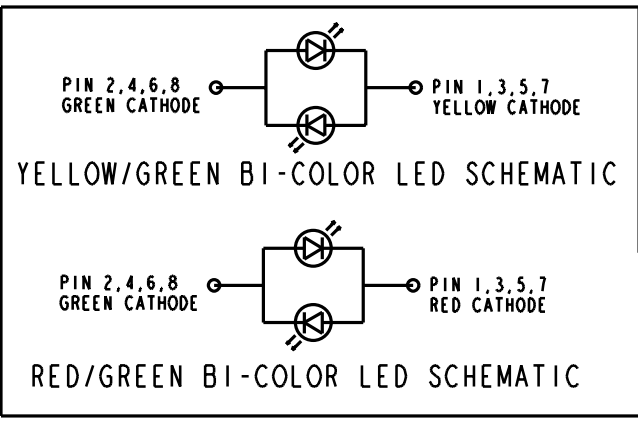
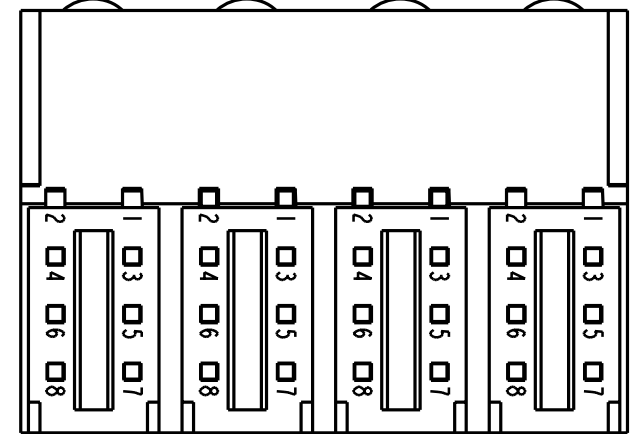
PART NUMBER	LED COLOR			
	ROW 1	ROW 2	ROW 3	ROW 4
568-0731-1114	RED / GREEN	RED / GREEN	RED / GREEN	RED / GREEN
568-0734-4444	YELLOW / GREEN	YELLOW / GREEN	YELLOW / GREEN	YELLOW / GREEN
568-2231-1114	RED NON-DIFFUSED	RED NON-DIFFUSED	RED NON-DIFFUSED	RED NON-DIFFUSED
568-2232-2224	GREEN NON-DIFFUSED	GREEN NON-DIFFUSED	GREEN NON-DIFFUSED	GREEN NON-DIFFUSED
568-2233-3334	YELLOW NON-DIFFUSED	YELLOW NON-DIFFUSED	YELLOW NON-DIFFUSED	YELLOW NON-DIFFUSED



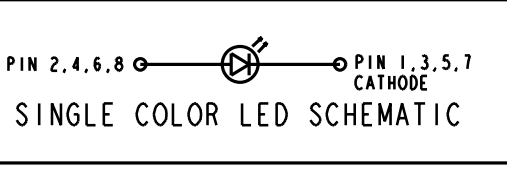
REV.	ECN NO.	REVISIONS	DRN.	CKD.	APP.	DATE
A	-----	NEW RELEASE	TC	AV	NO	11-2-99
B	-----	ADD 568-0731-1114/-0734-4444	AV			



OPERATING CHARACTERISTICS AT 25°C AMBIENT						
CHARACTERISTICS	LED COLOR	MIN	TYP	MAX	UNITS	TEST CONDITIONS
LUMINOUS INTENSITY	RED	8.7	29		mcd	I F = 10 mA
	GREEN	32	50			
	YELLOW	10		50		
	RED / GREEN	2.5/3.7	4.7/10.0			
	YELLOW / GREEN	2.5	4.3/6.3			
FORWARD VOLTAGE	RED		2.0	2.8	V	I F = 20 mA
	GREEN		2.1	2.8		
	YELLOW		2.1	2.8		
	RED / GREEN		2.0/2.1	2.8		
	YELLOW / GREEN		2.1	2.8		
REVERSE CURRENT	ALL		100		µA	V R = 5 V
	RED / GREEN					
	YELLOW / GREEN					
PEAK WAVELENGTH	RED		635		nm	
	GREEN		565			
	YELLOW		585			
	RED / GREEN		635/565			
	YELLOW / GREEN		585/565			
VIEWING ANGLE	ALL		45		Degree	
	RED / GREEN		60			
	YELLOW / GREEN		80			
CAPACITANCE	RED		20		pF	V F = 0, f = 1MHz
	GREEN		35			
	YELLOW		15			
	RED / GREEN		20/35			
	YELLOW / GREEN		15/35			



- NOTES:
- LEADS TO FIT INTO HOLES SPACED AS PER HOLE PATTERN
 - LEADS TO BE FREE OF DEFORMATION AFTER BENDING AND CUTTING
 - PIN NUMBERS FOR REFERENCE ONLY - DO NOT EXIST ON PART
 - LED LEAD DIMENSIONS SHOWN ARE MEASURED AT HOUSING EXIT
 - PACKAGING =
BLOCKS ARE PLACED IN CLEAR ANTISTATIC TRAY
50 BLOCKS PER TRAY
 - DIALIGHT PART NUMBER: 568-XX3X-XXX4



THIS DRAWING AND THE CONTENTS HEREIN ARE CONFIDENTIAL AND THE SOLE PROPERTY OF DIALIGHT. REPRODUCTION OF THIS DRAWING OR CONSTRUCTION OF ANY PARTS WITHIN THIS DRAWING ARE FORBIDDEN WITHOUT THE WRITTEN CONSENT OF DIALIGHT.

SCALE 4:1	DRAWING NUMBER	REV
ALL DIM'S IN: INCHES	C-16597	B
TOLERANCES: UNLESS OTHERWISE SPECIFIED	TITLE 4X4 CBI ARRAY BLOCK	
FRACTIONS: ±1/64	MATERIAL	
DECIMALS (.XX): ±.020	Dialight	
DECIMALS (.XXX): ±.015	1913 ATLANTIC AVE.	
DECIMALS (.XXXX): ±.010	MANASQUAN, N.J. 08736	
ANGLES: ±3°	SHEET OF FAMILY TABLE:	
FINISH:	FSCM 83330	